

Revision Notes.				
R1 -				
APA: -	Drawn:-	Checked:-	Approved:-	Date: -

**CHANGES FROM BASE PRODUCT SA-800 (1315A) TO SA-800(DC) (5843)**

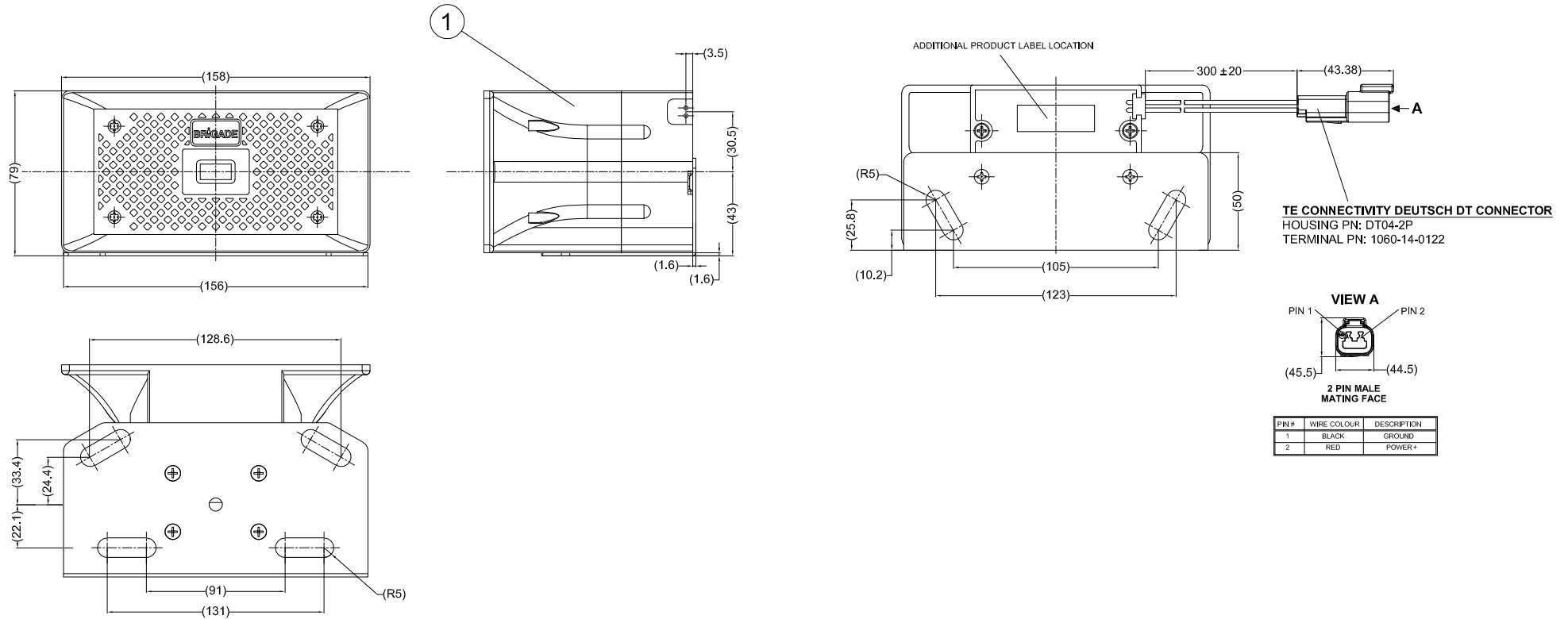
**CHANGE:**

1. DEUTSCH DT CONNECTOR ADDED TO WIRES
2. SA-800-A(DC) PD-LBL ADDED
3. SA-800 GB-LBL REPLACED WITH SA-800(DC) GB-LBL

**OPERATION:**

1. SAME AS BASE PRODUCT.

ITEM	PART NO.	QTY	MODEL / DESCRIPTION
①	(5846)	1	SA-800-A(DC) - ALARM ONLY
②	(4577)	1	CAB WARNING LABEL (NOT SHOWN)
③	(3587)	1	FITTING/OPERATING MANUAL (NOT SHOWN)



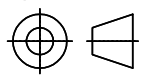
**NOTES:**

1. FINISH: BLACK PA6 PLASTIC
2. FOR ADDITIONAL PRODUCT LABEL AND PACKAGING DETAILS REFER TO MASTER BOM.
3. CONFORMS TO: SAE J994
4. ALARM OUTPUT LEVEL FROM MIN 87±4dB(A) TO MAX 112±4dB(A) AT 14-28V AND 25°C (NOMINAL)
5. INTERMITTENCY: 80±15 CYCLES/MIN. ON/OFF DUTY CYCLE 50±20% AT NOMINAL CONDITIONS.
6. NOMINAL VOLTAGE: 12V, 24VDC
7. OPERATING VOLTAGE RANGE: 9V ~ 32VDC
8. CURRENT: LESS THAN 300mA AT NOMINAL VOLTAGE.
9. OPERATING TEMPERATURE RANGE: -40°C TO +85°C

**PROPRIETARY NOTICE**

THIS DESIGN AND TECHNICAL INFORMATION APPEARING ON THIS DRAWING IS THE PROPERTY OF BRIGADE ELECTRONICS, AND IS DISCLOSED IN CONFIDENCE. IT IS NOT TO BE COPIED, REPRODUCED, REVEALED TO OR EXPROPRIATED BY OTHERS, EITHER IN WHOLE OR IN PART WITHOUT THE EXPRESS WRITTEN CONSENT OF BRIGADE ELECTRONICS.

**BRIGADE®**

Assembly Pl Approval J.GREEN 18/06/19	Approved by B.CHILDS	Checked by J.TYRRELL	Drawn by W.SINDEN
Angle of Projection 	Units mm	Scale N/A	Released 26/06/19
Status RELEASED	SA-800(DC)		
Part No 5843	BE-004081-00-19		